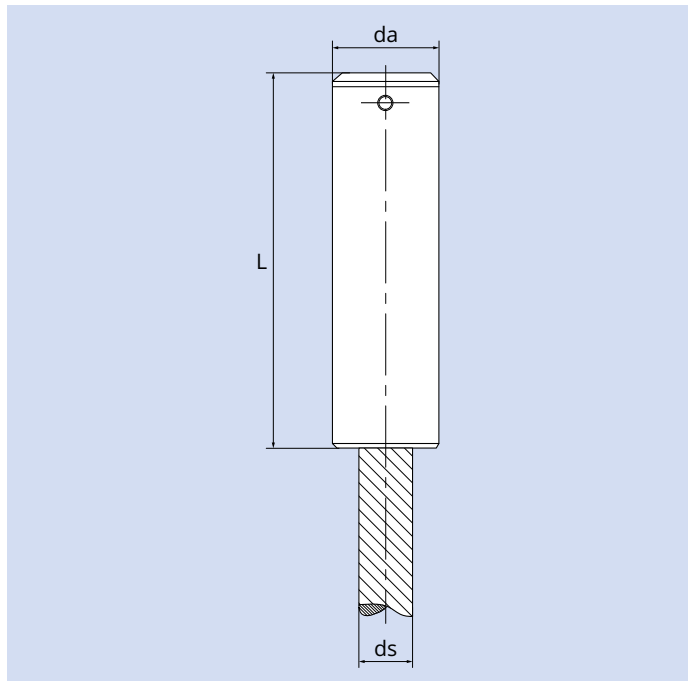


### Technical data

Surface	ACC
Cast	Synthetic Resin
Nominal tensile strength	$\leq 2160 \text{ N/mm}^2$
Verlustfaktor	0,9 (1,0)*

### Application area

High performance rotation-resistant ropes



Don't use non-rotation resistant ropes with a turnable fixing point (e. g. swivel). The end termination has to be fixed against rotation as well. If this is not observed considerable damage, serious injury or death may occur.

NG	$d_s$ mm	$d_a$ mm	L mm	Weight kg
17	16 – 17	36	121	0,53
19	19 – 19	36	138	0,5
24	22 – 24	48	165	1,15

\*Loss factor = 0.9 is tested and approved for all common round strand ropes. For loss factor = 1.0 additional type tests are required. Please contact us.

**Dimensions correspond to nominal sizes without tolerance and without coating. Please contact us for exact measurements!**