

Technical data

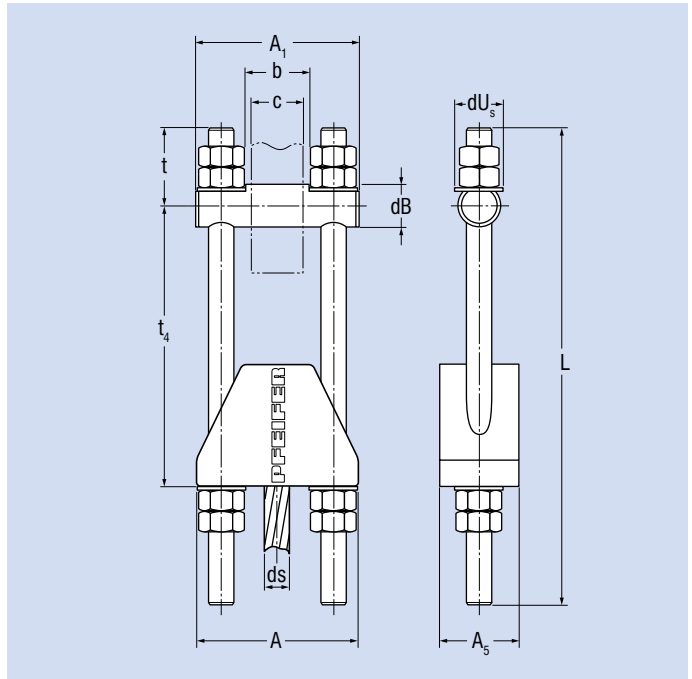
Material bolt	Quenched and tempered steel
Surface bolt	Plasma nitrided
Material housing	Structural steel (cold resistant to -20 °C)
Surface housing	Hot-dip galvanised
Surface threaded rod	Electrogalvanized
Cast	Zamak 610

Application area

Spiral strand cables
Fully locked coil ropes
Alternative: Strand ropes

Technical Approval

Design technical approved according civil engineering codes – PFEIFER tension member



Don't use non-rotation resistant and rotation resistant ropes with a turnable fixed point (e. g. swivel). The end termination has to be fixed against rotation as well. If this is not observed considerable damage, serious injury or death will occur.

item number	NG	ds	A	A ₁	A ₅	b	dB	dUs	L	t	t ₄ min	t ₄ max	c max	MBL	Weight
		mm	mm	mm	mm	mm	mm	mm	mm	mm	mm	mm	mm	kN	kg
0384A020	21	16 – 21	153	153	80	65	41	41	619	80	150	330	60	405	17
0384A025	26	21 – 26	185	185	90	75	46	50	694	96	150	375	70	621	30
0384A030	31	26 – 31	215	215	110	85	56	60	776	117	150	420	80	916	48
0384A040	40	31 – 40	249	249	130	95	66	72	888	138	150	495	90	1520	92
0384A045	45	41 – 45	300	300	150	120	75	85	971	159	150	540	110	1930	126
0384A050	50	46 – 50	336	336	160	130	85	98	1048	183	150	575	120	2380	176
0384A055	55	51 – 55	370	370	180	150	90	105	1217	196	200	670	140	3020	224
0384A060	60	56 – 60	390	390	200	160	100	110	1289	212	200	715	150	3590	293
0384A065	65	61 – 65	415	415	220	175	110	115	1361	228	200	760	165	4220	388
0384A070	70	66 – 70	440	440	240	180	120	125	1433	244	200	805	175	4890	493
0384A075	75	71 – 75	490	490	250	210	130	135	1510	265	200	845	205	5620	573
0384A080	80	76 – 80	530	530	260	230	140	145	1682	281	250	940	225	6390	732
0384A085	85	81 – 85	575	575	300	255	144	155	1756	299	250	980	250	7210	862

MBL = minimum breaking load

Dimensions correspond to nominal sizes without tolerance and without coating. Please contact us for exact measurements!

Contact: seile@pfeifer.de

Copyright PFEIFER Holding GmbH & Co. KG | Information is subject to change and/or alteration. | Revision 6/2017

PFEIFER

1/2

www.pfeifer.info

Adjustable socket PSH

84A SBV

item number	NG	ds	A	A ₁	A ₅	b	dB	dUs	L	t	t ₄ min	t ₄ max	c max	MBL	Weight
		mm	mm	mm	mm	mm	mm	mm	mm	mm	mm	mm	mm	kN	kg
0384A090	90	86 – 90	600	600	320	270	155	160	1823	315	250	1020	265	8090	1037
0384A095	95	91 – 95	625	625	340	285	164	165	1903	330	250	1075	280	9110	1309
0384A100	100	96 – 100	650	650	350	290	174	175	1975	346	250	1120	285	10100	1463

MBL = minimum breaking load

Dimensions correspond to nominal sizes without tolerance and without coating. Please contact us for exact measurements!