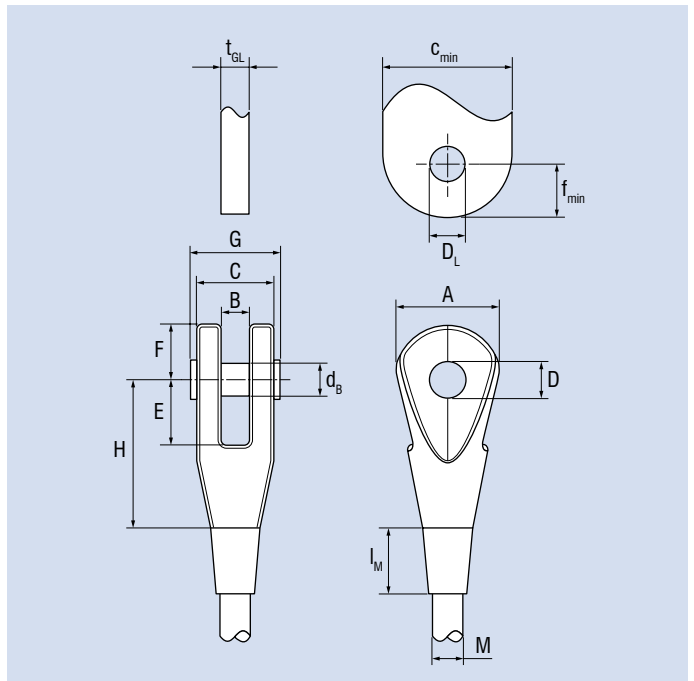


Fork End type UMIX

Note

All dimensions are without corrosion protection!

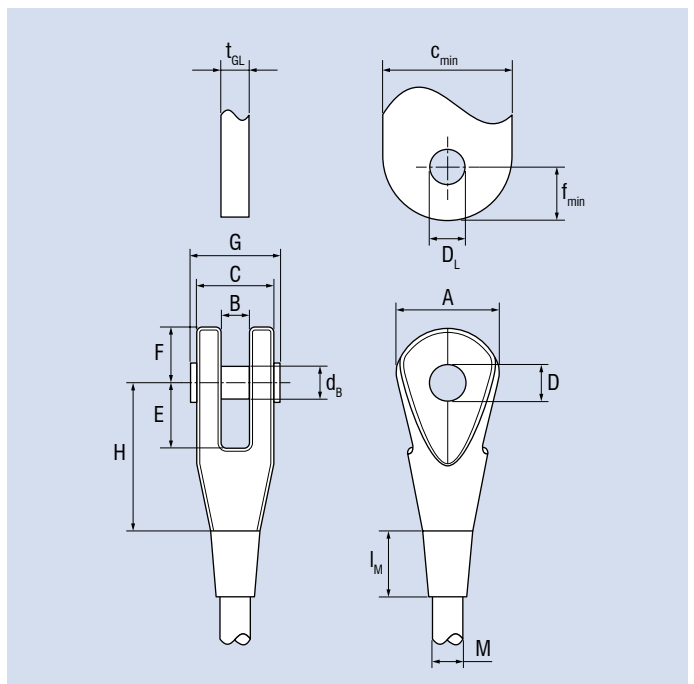


System Size			8	10	12	14	16	20	24	27	30	36	42	48
Complete Fork End														
Weight	D	kg	0,1	0,2	0,3	0,5	0,7	1,3	2,2	3,2	4,4	7,2	10,5	15,4
Fork End · Corrosion Protection: hot-dip galvanized														
Height	A	mm	26	32	39	47	53	66	77	88	98	115	133	151
Fork Width	B	mm	10,0	12,0	14,0	17,0	18,0	23,0	23,5	23,5	28,5	28,5	34,0	39,0
Width	C	mm	21	25,6	31	36	40	51	56,5	61,5	70,5	79,5	94	108
Ø Eye	D	mm	9	11	13,5	16	18	22	26	30	33	39	45	51
Length to Fork Base	E	mm	18,5	22,5	27,5	32	37	45	54	60	65	76	86	96
Length to Fork Top	F	mm	14,5	17,5	21,5	26	29	35	42	48	53	62	72	82
Length to Fork End	H	mm	40,5	50	60,5	73	80	100	120	134	147	174	201	227
Pin · Corrosion Protection: Size 8–16 hot-dip galvanized, all others spray-galvanized														
Diameter	d _B	mm	8	10	12	14	16	20	24	27	30	36	42	48
Length	G	mm	29,0	34,5	40,5	45,5	52,0	65,0	71,5	78,0	90,0	99,0	116,0	130,0
Locking Nut · Corrosion Protection: hot-dip galvanized														
Length	l _M	mm	17	21	25	31,5	33	42	50	55,5	62	73	86	98
Connecting Plate · S355 (supplied by others)														
Plate Thickness	t _{GL}	mm	8	10	12	15	15	20	20	20	25	25	30	35
Minimal Width	c _{min}	mm	27	33	40	48	54	66	84	105	106	145	166	187
Minimal Edge Distance	f _{min}	mm	14,5	17,5	21,5	26	29	35	42	48	53	62	72	82
Ø Hole	D _L	mm	9	11	13,5	16	18	22	26	30	33	39	45	51

Fork End type UMIX

Note

All dimensions are without corrosion protection!



System Size			52	56	60	64	70	80	90	100	110	120
Complete Fork End												
Weight	D	kg	19,1	23,7	29,2	35,3	46,0	69,7	103,2	146,5	199,3	257,0
Fork End · Corrosion Protection: hot-dip galvanized												
Height	A	mm	162	176	187	200	220	257	289	325	367	400
Fork Width	B	mm	45,0	45,0	50,0	50,0	55,0	65,0	75,0	80,0	91,0	101,0
Width	C	mm	121	126	138	144	157	181	210	233	258	283
Ø Eye	D	mm	55	59	63	67	73	83	95	109	121	132
Length to Fork Base	E	mm	104	111	118	125	138	155	177	200	222	240
Length to Fork Top	F	mm	88	95	100	107	117	133	152	174	193	210
Length to Fork End	H	mm	235	252	269	286	314	356	406	453	498	540
Pin · Corrosion Protection: Size 8–16 hot-dip galvanized, all others spray-galvanized												
Diameter	d _B	mm	52	56	60	64	70	80	92	106	118	129
Length	G	mm	144,0	151,0	166,0	172,0	187,0	215,0	244,0	273,0	300,0	325,0
Locking Nut · Corrosion Protection: hot-dip galvanised												
Länge	l _M	mm	105	113	119,5	127	138	155	175	190	205	220
Connecting Plate · S355 (supplied by others)												
Plate Thickness	t _{GL}	mm	40	40	45	45	50	60	70	75	85	95
Minimal Width	c _{min}	mm	197	225	235	260	285	320	355	415	445	485
Minimal Edge Distance	f _{min}	mm	88	95	100	107	117	133	152	174	193	210
Ø Hole	D _L	mm	55	59	63	67	73	83	95	109	121	132