



Faster completion  
of large projects

#### Simple rectangular joists:

- Minimal ceiling height – optimal use of space
- Architecturally clear soffit
- No perching surface for birds



Over 2 million m<sup>2</sup> of ceiling area  
successfully installed

INTERNATIONAL

Sales:

+49 (0) 83 31 937 231  
export-bt@pfeifer.de

Technical support:

+49 (0) 83 31 937 345  
support-bt@pfeifer.de

[www.pfeifer.info/connecting-and-lifting-systems](http://www.pfeifer.info/connecting-and-lifting-systems)

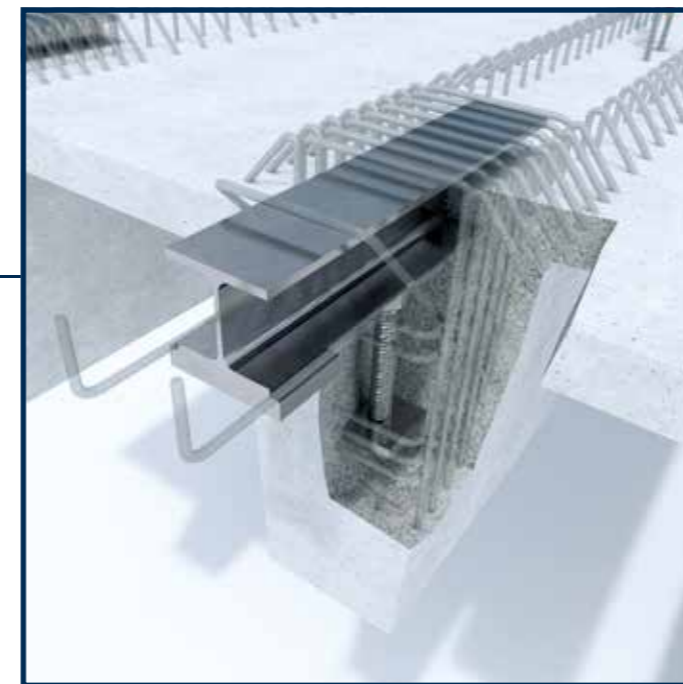
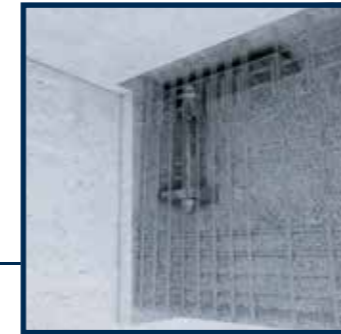


## Steel Bearing

Cost-effective ceiling construction  
for ribbed ceilings and joists



# With steel bearings you can shorten your construction time thanks to faster planning and installation



## Simplified supporting structure planning

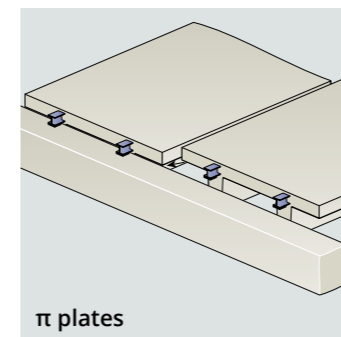
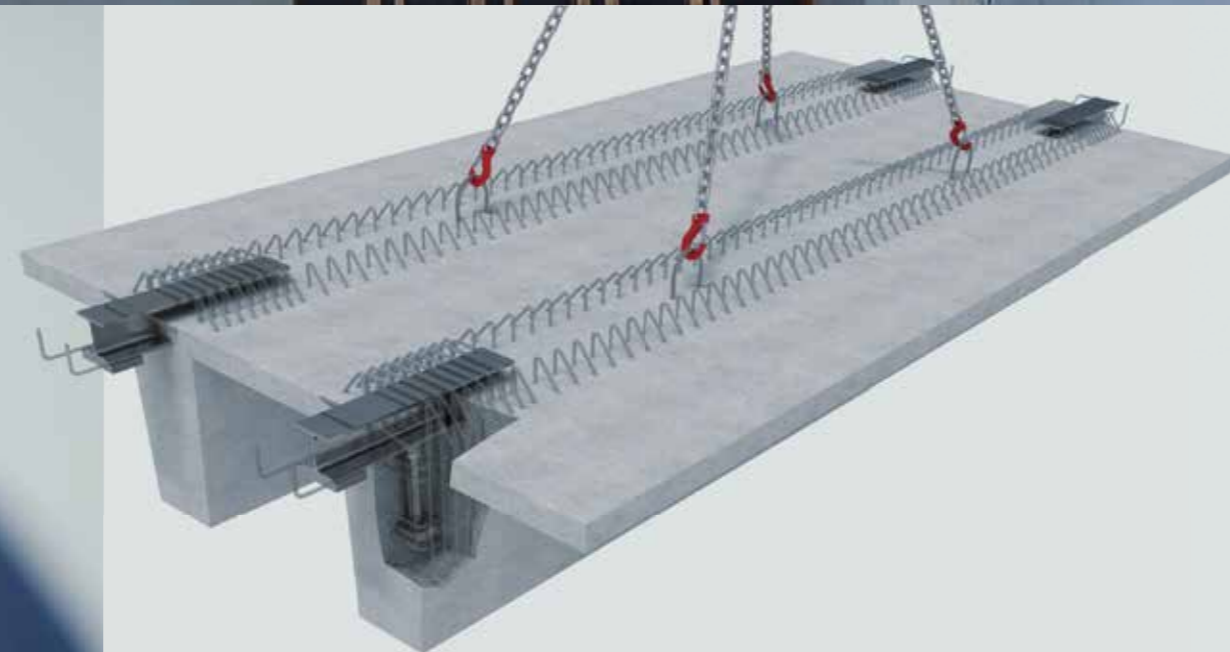
- No bearing ledges and dowels required for joists – simple rectangular beams suffice entirely. As a result, there are also no hollow spaces or places where dirt could accumulate.
- Minimum height and thus optimal use of space
- Architecturally clear soffit
- Simple support on joist due to load centring: no undesirable fixing moments and smaller torsional moment
- No calculation of the support necessary, order of installation does not need to be planned
- Free dimensioning software and pre-dimensioning tables

## Shortened construction time – reduced costs

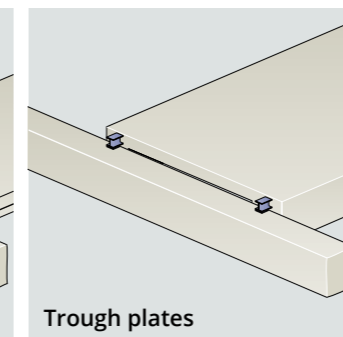
- Simple and fast shuttering as no joist nibs and dowels are required
- Order of installation is irrelevant – no pre-planning necessary
- No accurately planned installation of a mounting bearing necessary
- No temporary support necessary
- No grouting of dowel holes, no subsequent concrete cosmetics on bearing ledges
- Lower concrete consumption, lower formwork shell consumption

## Safe, tried and tested

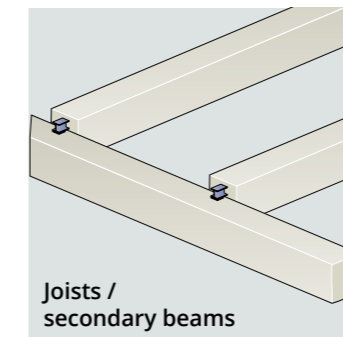
- With building authority approval
- Highest quality standards and long-standing manufacturing know-how
- Over 2 million m<sup>2</sup> of ceiling area successfully installed



π plates



Trough plates



Joists / secondary beams



Detailed information, approval/certificates, dimensioning software:  
[www.pfeifer.info/steel-bearing](http://www.pfeifer.info/steel-bearing)